



Oras Safira

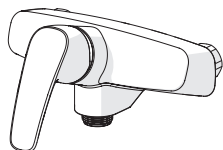
INSTALLATION AND MAINTENANCE GUIDE



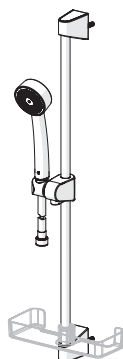
Water Is Worth Loving.

Contents

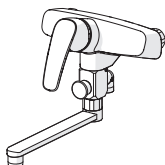
CZ Obsah	FI Sisällysluettelo	NL Inhoud	RU Содержание
DE Inhaltsübersicht	FR Sommaire	NO Innhold	SE Innehållsförteckning
DK Indholdsfortegnelse	IT Indice	PL Spis treści	SK Obsah
EE Sisukord	LT Turinys	RO Cuprins	UA Зміст
ES Contenidos	LV Saturs		



Technical data	4-10
Installation	12-14
Operation.....	16
Maintenance.....	16-19
Spare parts.....	20-22



Technical data	11
Installation	12-14
Operation.....	16
Maintenance.....	16-19
Spare parts.....	21-22

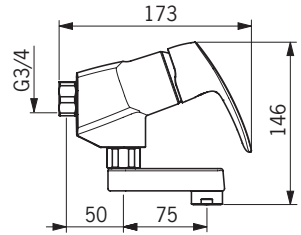
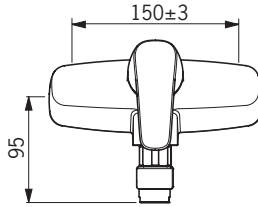


Technical data	12
Installation	15
Operation.....	16
Maintenance.....	16-17, 19
Spare parts.....	22



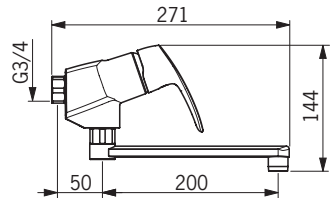
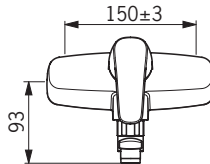
1016

EN 817
 I (ISO 3822) (0.2 l/s)
 50 - 1000 kPa
 0.31 l/s (300 kPa)
 0.2 l/s (300 kPa, with flow reducers)
 120 kPa (0.2 l/s)
 300 kPa (0.2 l/s, with flow reducers)
 max. +80°C



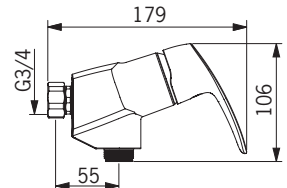
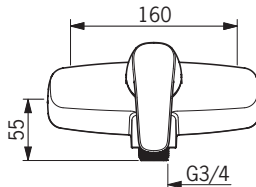
1036

EN 817
 I (ISO 3822) (0.2 l/s) Oras lab.
 50 - 1000 kPa
 0.27 l/s (300 kPa)
 0.2 l/s (300 kPa, with flow reducers)
 160 kPa (0.2 l/s)
 300 kPa (0.2 l/s, with flow reducers)
 max. +80°C



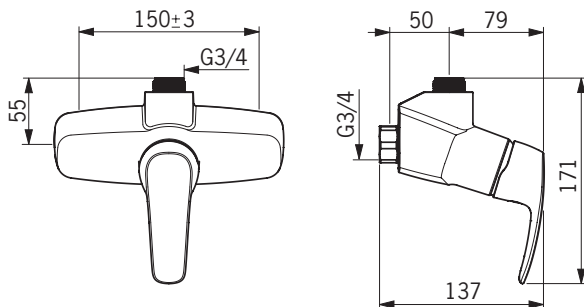
1054

EN 817
 I (ISO 3822)
 50 - 1000 kPa
 0.26 l/s (300 kPa)
 0.2 l/s (300 kPa, with flow reducers)
 180 kPa (0.2 l/s)
 300 kPa (0.2 l/s, with flow reducers)
 max. +80°C



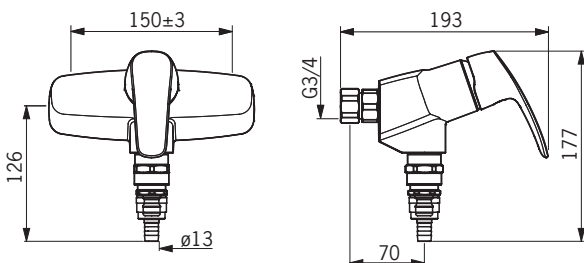
1055

EN 817
 I (ISO 3822)
 50 - 1000 kPa
 0.26 l/s (300 kPa)
 0.2 l/s (300 kPa, with flow reducers)
 180 kPa (0.2 l/s)
 300 kPa (0.2 l/s, with flow reducers)
 max. +80°C



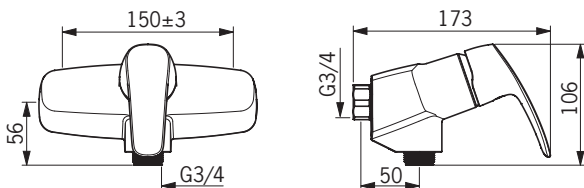
1056

EN 817
 I (ISO 3822) (0.2 l/s)
 50 - 1000 kPa
 0.29 l/s (300 kPa)
 0.2 l/s (300 kPa, with flow reducers)
 140 kPa (0.2 l/s)
 300 kPa (0.2 l/s, with flow reducers)
 max. +80°C



1070

EN 817
 I (ISO 3822)
 50 - 1000 kPa
 0.26 l/s (300 kPa)
 0.2 l/s (300 kPa, with flow reducers)
 180 kPa (0.2 l/s)
 300 kPa (0.2 l/s, with flow reducers)
 max. +80°C



1073

EN 817

I (ISO 3822) (0.2 l/s)

50 - 1000 kPa

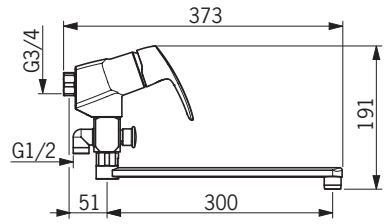
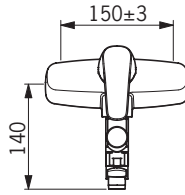
0.25 l/s (300 kPa)

0.2 l/s (300 kPa, with flow reducers)

190 kPa (0.2 l/s)

300 kPa (0.2 l/s, with flow reducers)

max. +80°C



1073X

EN 817

I (ISO 3822) (0.2 l/s)

50 - 1000 kPa

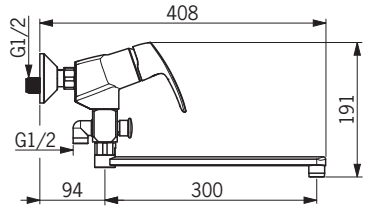
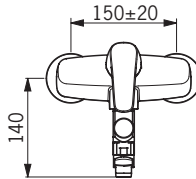
0.25 l/s (300 kPa)

0.2 l/s (300 kPa, with flow reducers)

190 kPa (0.2 l/s)

300 kPa (0.2 l/s, with flow reducers)

max. +80°C



1074

EN 817

I (ISO 3822) (0.2 l/s)

50 - 1000 kPa

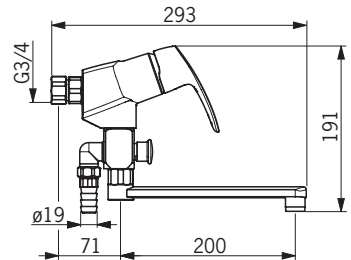
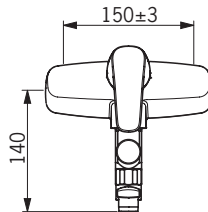
0.25 l/s (300 kPa)

0.2 l/s (300 kPa, with flow reducers)

200 kPa (0.2 l/s)

300 kPa (0.2 l/s, with flow reducers)

max. +80°C



1074X

EN 817

I (ISO 3822) (0.2 l/s)

50 - 1000 kPa

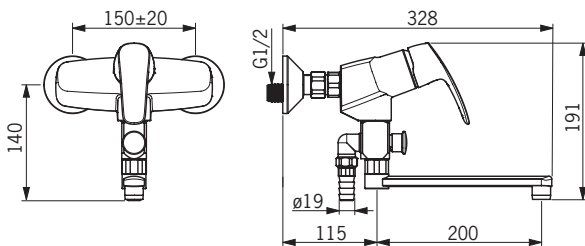
0.25 l/s (300 kPa)

0.2 l/s (300 kPa, with flow reducers)

190 kPa (0.2 l/s)

300 kPa (0.2 l/s, with flow reducers)

max. +80°C



1075

EN 817

I (ISO 3822) (0.2 l/s) Oras lab.

50- 1000 kPa

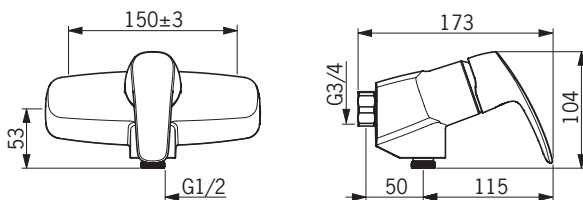
0.26 l/s (300 kPa)

0.2 l/s (300 kPa, with flow reducers)

180 kPa (0.2 l/s)

300 kPa (0.2 l/s, with flow reducers)

max. +80°C



1075X

EN 817

I (ISO 3822) (0.2 l/s) Oras lab.

50 - 1000 kPa

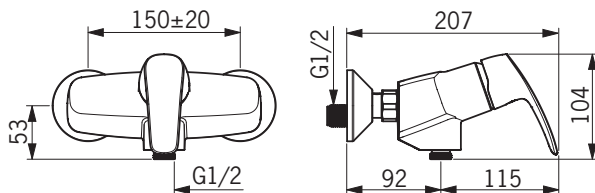
0.26 l/s (300 kPa)

0.2 l/s (300 kPa, with flow reducers)

180 kPa (0.3 l/s)

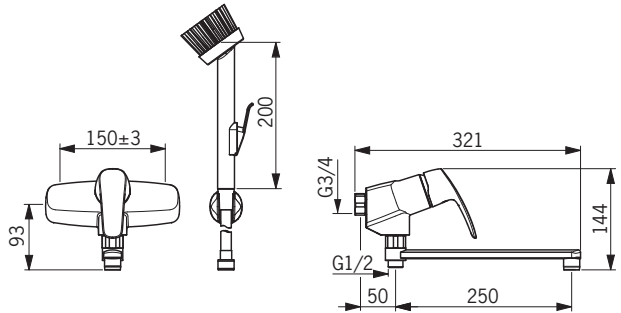
300 kPa (0.2 l/s, with flow reducers)

max. +80°C



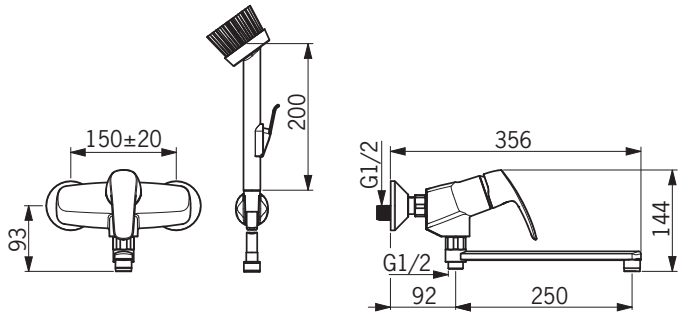
1077

EN 817
 I (ISO 3822)
 50 - 1000 kPa
 0.17 l/s (300 kPa)
 100 kPa (0.1 l/s)
 max. +80°C



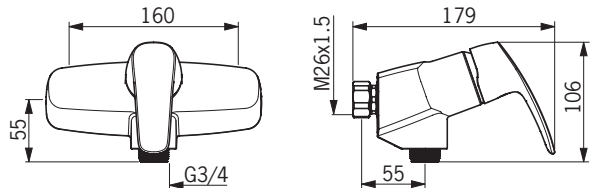
1077X

EN 817
 I (ISO 3822)
 50 - 1000 kPa
 0.17 l/s (300 kPa)
 100 kPa (0.1 l/s)
 max. +80°C



1085

EN 817
 I (ISO 3822) Oras lab.
 50 - 1000 kPa
 0.26 l/s (300 kPa)
 175 kPa (0.2 l/s)
 max. +80°C



1072

EN 817

I (ISO 3822) (0.2 l/s)

II (ISO 3822) (0.3 l/s)

50 - 1000 kPa

0.33 l/s (300 kPa)

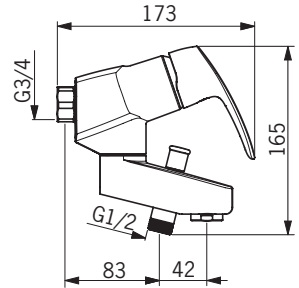
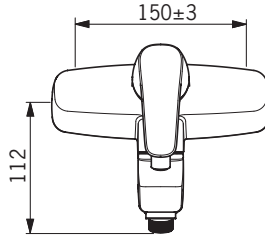
0.2 l/s (300 kPa, with flow reducers)

160 kPa (0.2 l/s)

260 kPa (0.3 l/s)

300 kPa (0.2 l/s, with flow reducers)

max. +80°C



1072X

EN 817

I (ISO 3822) (0.2 l/s)

II (ISO 3822) (0.3 l/s)

50 - 1000 kPa

0.33 l/s (300 kPa)

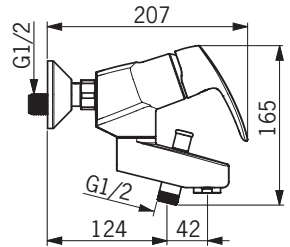
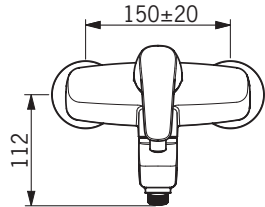
0.2 l/s (300 kPa, with flow reducers)

160 kPa (0.2 l/s)

260 kPa (0.3 l/s)

300 kPa (0.2 l/s, with flow reducers)

max. +80°C



1063U

EN 817

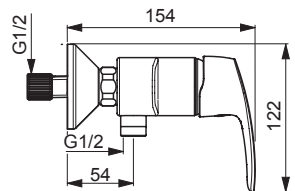
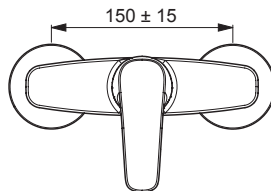
I (ISO 3822) Oras lab.

50 - 1000 kPa

0.26 l/s (300 kPa)

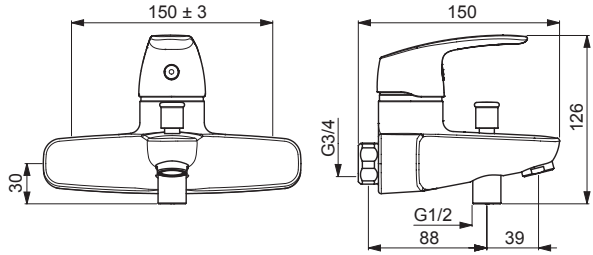
180 kPa (0.2 l/s)

max. +80°C



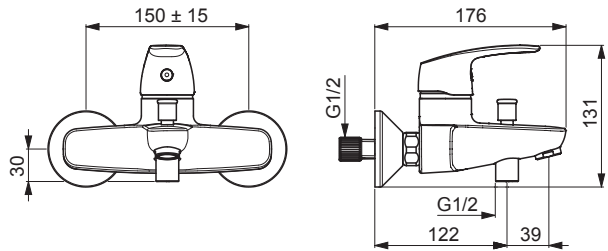
1040

EN 817
 II (ISO 3822) Oras lab.
 50 - 1000 kPa
 0.32 l/s (300 kPa)
 260 kPa (0.3 l/s)
 max. +80°C



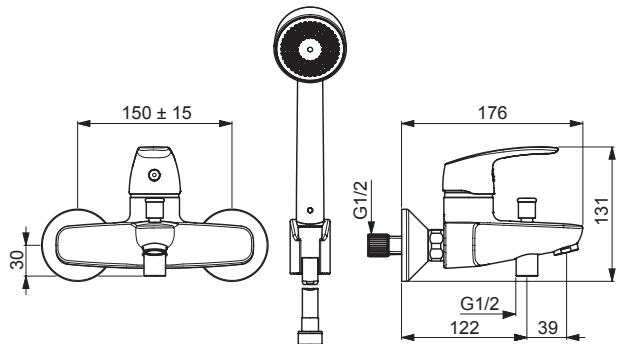
1040U

EN 817
 II (ISO 3822) Oras lab.
 50 - 1000 kPa
 0.32 l/s (300 kPa)
 260 kPa (0.3 l/s)
 max. +80°C



1041U

EN 817
 I (ISO 3822) Oras lab.
 50 - 1000 kPa
 0.32 l/s (300 kPa)
 260 kPa (0.3 l/s)
 max. +80°C



1066 (1070+200100+211225+520)

EN 817

I (ISO 3822) (0.2 l/s)

50 - 1000 kPa

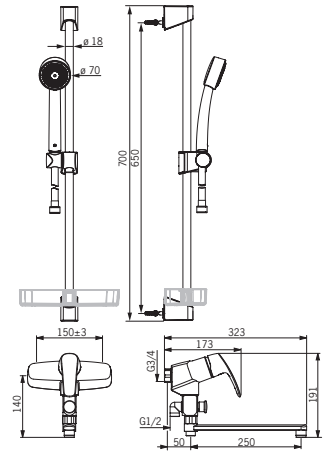
0.25 l/s (300 kPa)

0.2 l/s (300 kPa, with flow reducers)

190 kPa (0.2 l/s)

300 kPa (0.2 l/s, with flow reducers)

max. +80°C



1067 (1072+520-11)

EN 817

I (ISO 3822) (0.2 l/s)

II (ISO 3822) (0.3 l/s)

50 - 1000 kPa

0.33 l/s (300 kPa)

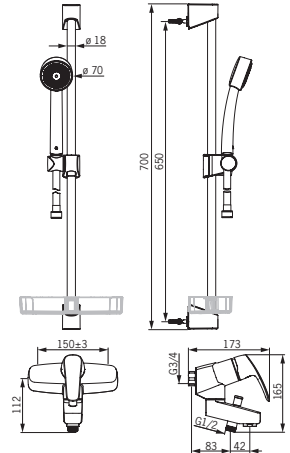
0.2 l/s (300 kPa, with flow reducers)

160 kPa (0.2 l/s)

260 kPa (0.3 l/s)

300 kPa (0.2 l/s, with flow reducers)

max. +80°C



1068 (1072+520)

EN 817

I (ISO 3822) (0.2 l/s)

II (ISO 3822) (0.3 l/s)

50 - 1000 kPa

0.33 l/s (300 kPa)

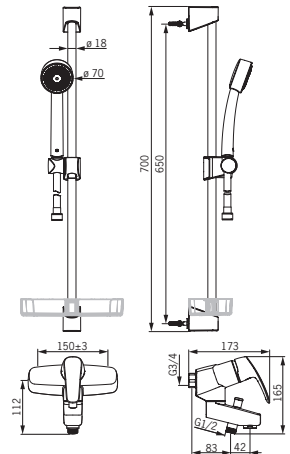
0.2 l/s (300 kPa, with flow reducers)

160 kPa (0.2 l/s)

260 kPa (0.3 l/s)

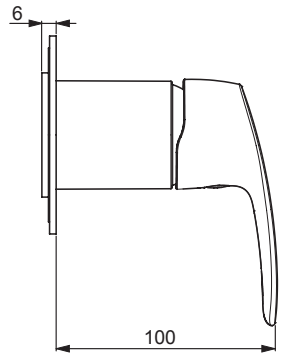
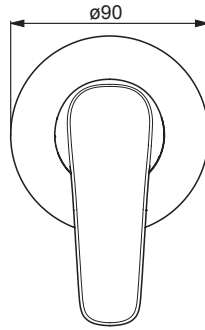
300 kPa (0.2 l/s, with flow reducers)

max. +80°C



1065C

max. +80°C



Installation

CZ Montáž

DE Montage

DK Installation

EE Paigaldus

ES Montaje

FI Asennus

FR Installation

IT Montaggio

LT Montavimas

LV Montāža

NL Installatie

NO Montering

PL Instalacja

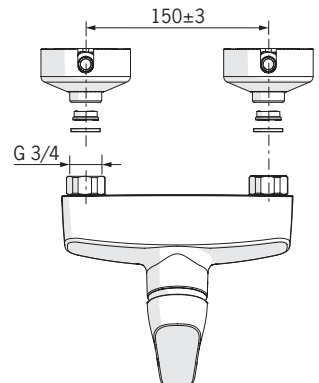
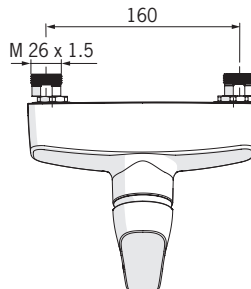
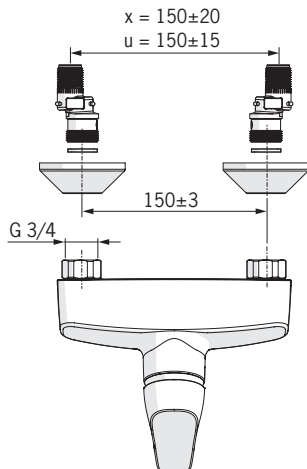
RO Instalare

RU Установка

SE Installation

SK Inštalácia

UA Встановлення



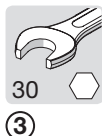
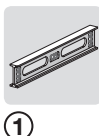
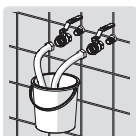
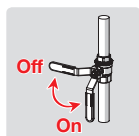
Installation

CZ Montáž
DE Montage
DK Installation
EE Paigaldus
ES Montaje

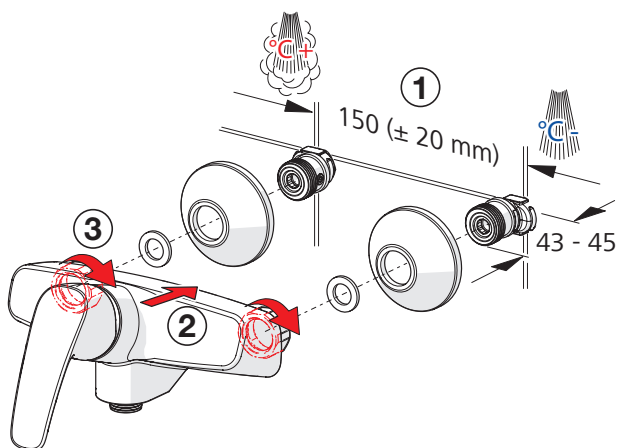
FI Asennus
FR Installation
IT Montaggio
LT Montavimas
LV Montāža

NL Installatie
NO Montering
PL Instalacja
RO Instalare

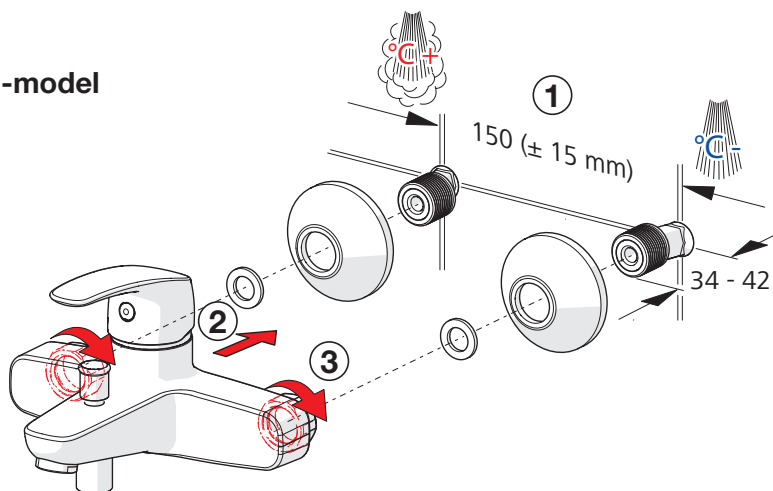
RU Установка
SE Installation
SK Inštalácia
UA Встановлення



X-model



U-model



Installation

CZ Montáž

DE Montage

DK Installation

EE Paigaldus

ES Montaje

FI Asennus

FR Installation

IT Montaggio

LT Montavimas

LV Montāža

NL Installatie

NO Montering

PL Instalacja

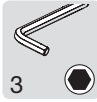
RO Instalare

RU Установка

SE Installation

SK Inštalácia

UA Встановлення



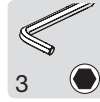
②



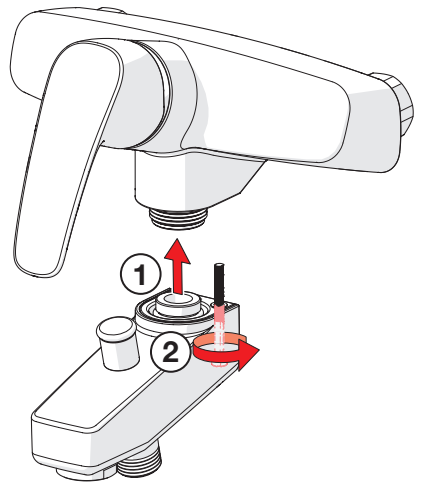
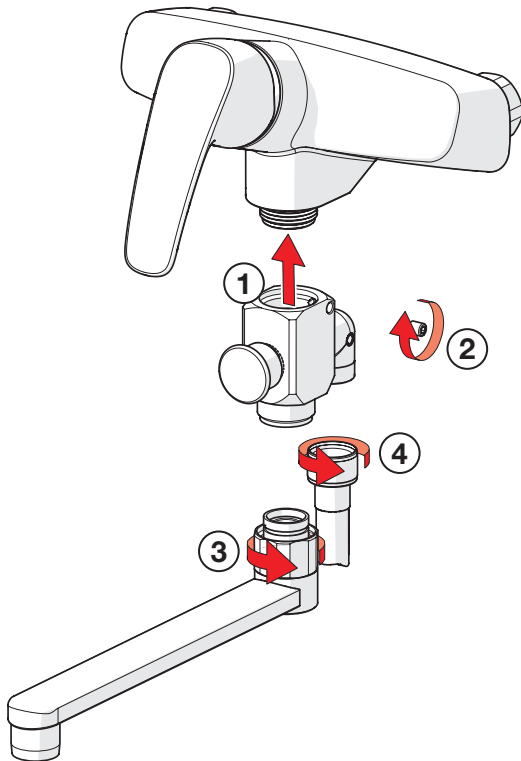
③



④



②



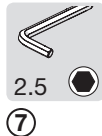
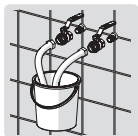
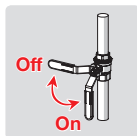
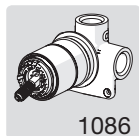
Installation

CZ Montáž
DE Montage
DK Installation
EE Paigaldus
ES Montaje

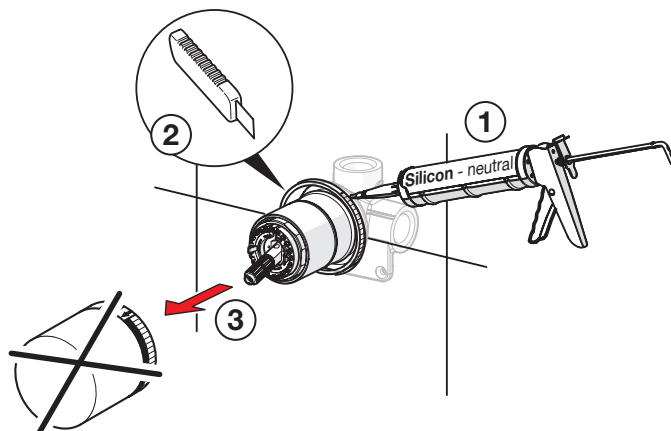
FI Asennus
FR Installation
IT Montaggio
LT Montavimas
LV Montāža

NL Installatie
NO Montering
PL Instalacja
RO Instalare

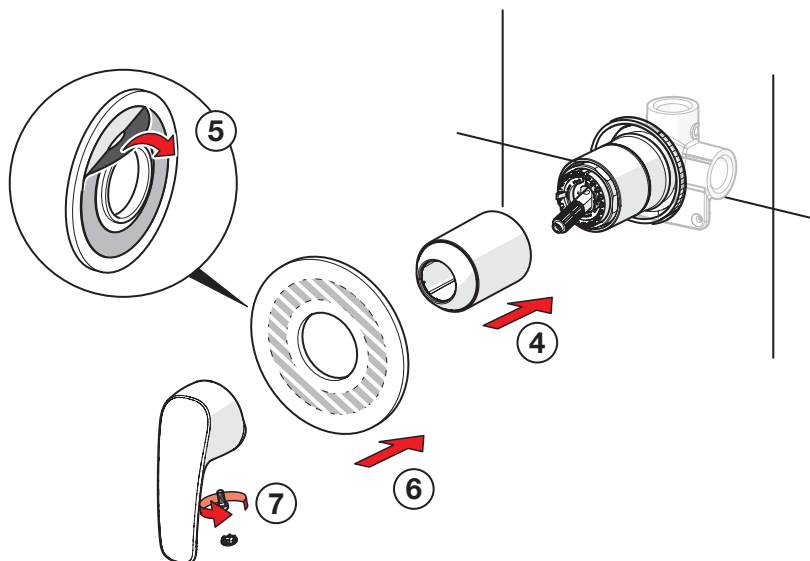
RU Установка
SE Installation
SK Inštalácia
UA Встановлення



1



2



Operation

CZ Funkce

DE Funktion

DK Betjening

EE Toimimine

ES Servicio

FI Toiminta

FR Utilisation

IT Funzionamento

LT Veikimo principas

LV Darbības princips

NL Bediening

NO Funksjon

PL Działanie

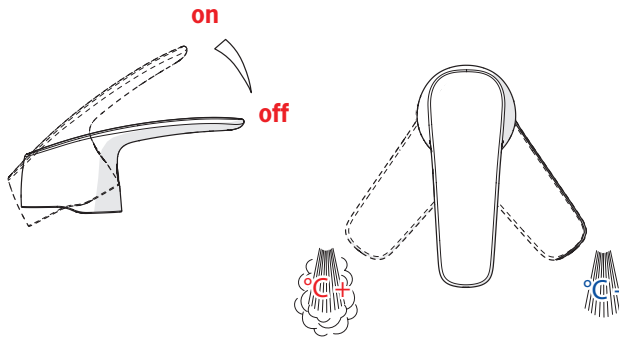
RO Funcționare

RU Принцип действия

SE Funktion

SK Prevádzka

UA Принцип дії



Limiting the flow rate

CZ Omezení průtoku

DE Begrenzung der Durchflußmenge

DK Begrænsning af vandmængden

EE Vooluhulga piiramine

ES Limitación de la tasa de flujo

FI Virtaaman rajoitus

FR Limitation du débit

IT Limitazione della portata

LT Vandens srovės reguliavimas

LV Ūdens plūsmas ierobežošana

NL Begrenzing van de doorstroomhoeveelheid

NO Begrensning av vannmengde

PL Ograniczenie wielkości strumienia

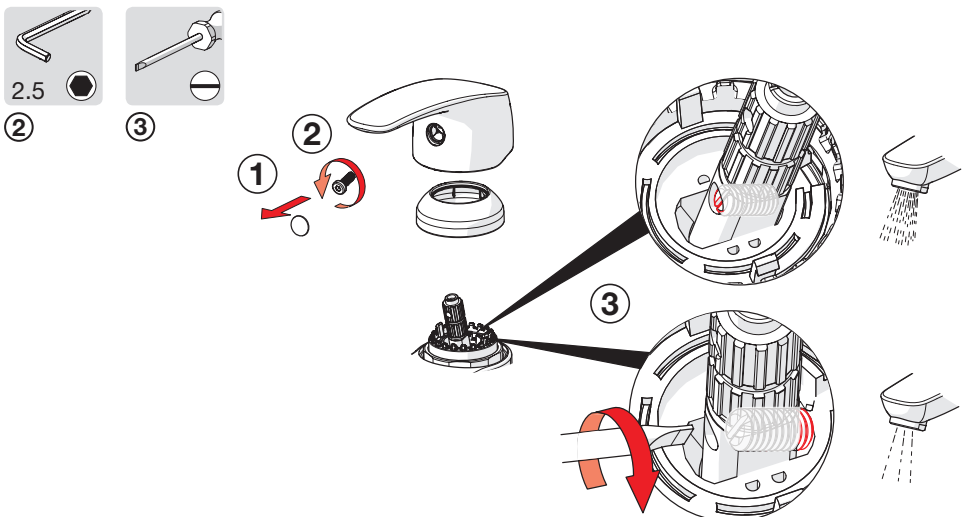
RO Limitarea debitului

RU Регулирование потока

SE Flödesbegränsning

SK Obmedzenie prietoku

UA Регулювання потоку



To change the cartridge

CZ Výměna kartuše

DE Ein- und Ausbau der Kartusche

DK Udskiiftning af reguleringskassette (unit)

EE Seadeosa vahetus

ES Montaje del cartucho

FI Säätöosan vaihto

FR Montage et démontage de la cartouche

IT Montaggio della cartuccia

LT Valdanciosios kasetės pakeitimas

LV Regulēšanas mehānisma kasetes maiņa

NL Vervangen van het keramische binnenwerk

NO Skifting av kassett

PL Wymiana modułu sterującego

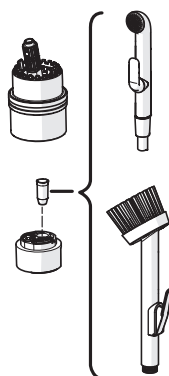
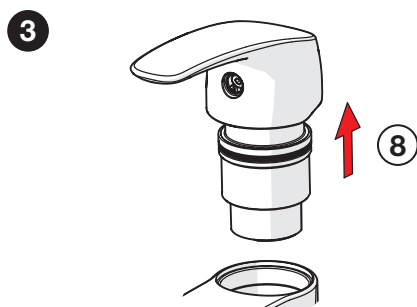
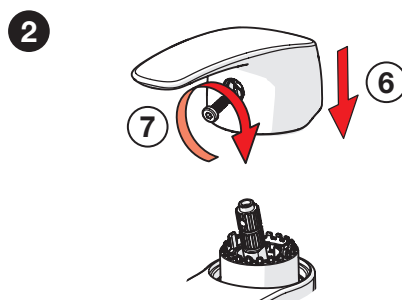
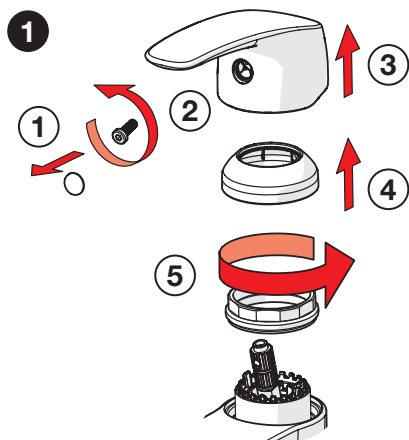
RO Înlocuirea cartușului

RU Замена регулировочного блока

SE Byte av kassett

SK Výměna kartuše

UA Заміна регулювального блоку



Changing the diverter

CZ Výměna přepínače

DE Wartung des Umstellers

DK Udskiftning af omskifter

EE Suundvahetaja vahetamine

ES Cambiar la inversor

FI Vaihtimen vaihto

FR Changement de l'inverseur

IT Sostituzione della deviatore

LT Perjungiklio pakeitimas

LV Trīseju vārsts maiņa

NL Omsteller vervangen

NO Bytting av omkaster

PL Wymiana przełącznika

RO Înlocuirea divertorului

RU Замена переключателя

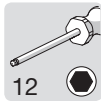
SE Byte av omkastare

SK Výměna prepínača

UA Заміна перемикача



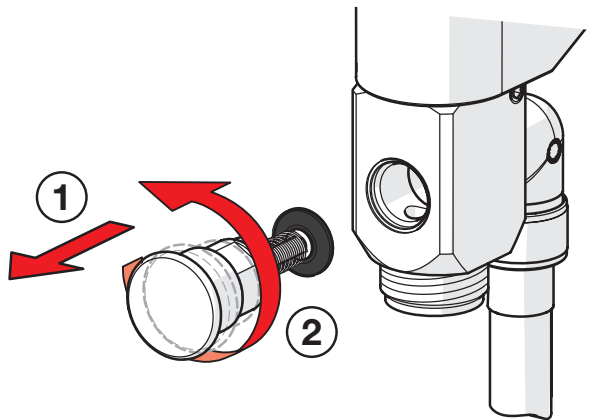
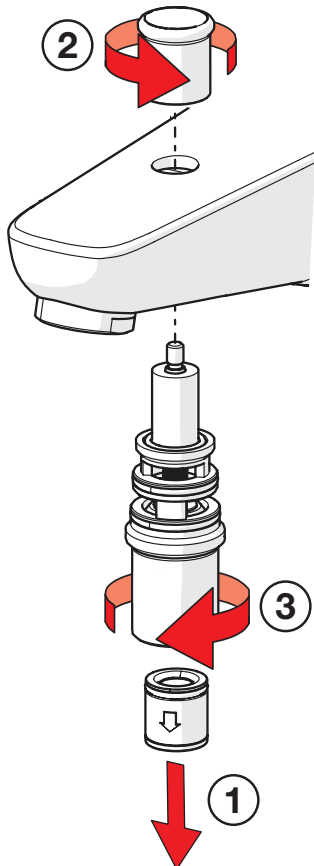
①



③

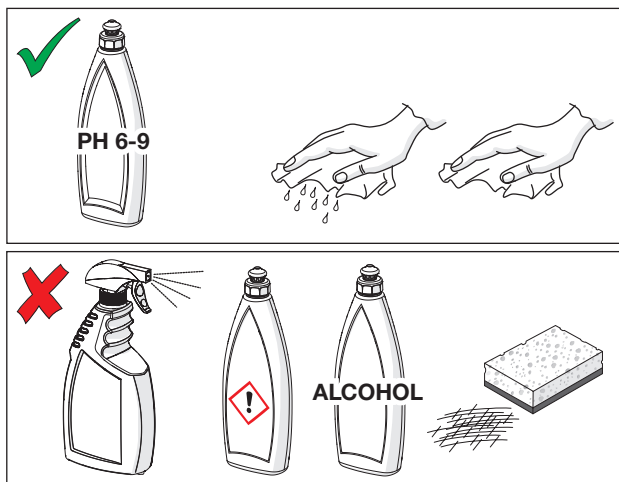


②



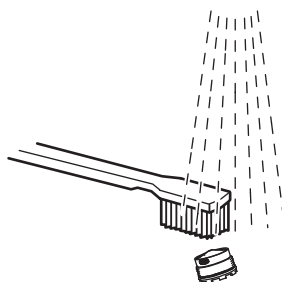
Cleaning the faucet

CZ Čištění baterie	FR Nettoyage du robinet	PL Czyszczenie baterii
DE Reinigung der Armatur	IT Pulizia della rubinetteria	RO Curățire
DK Rengøring af armaturet	LT Maišytuvo valymas	RU Чистка смесителя
EE Puhastamine	LV Krāna tīrīšana	SE Rengöring av blandarna
ES Limpieza de la grifería	NL Reinigen van de kraan	SK Čistenie vodovodnej batérie
FI Puhdistus	NO Rengjøring av kranen	UA Чищення змішувача



Cleaning/changing the aerator

CZ Čištění/Výměna perlátoru	LV Aeratora tīrīšana/maiņa
DE Reinigung/Wechseln des Luftsprudlers	NL Reinigen/veranderen van de perlator
DK Rensning/Udskiftning af perlator	NO Rensing/Bytting av strålesamler
EE Õhusti puhastamine/vahetamine	PL Czyszczenie/Wymiana perlatora
ES Limpieza/Cambiar el aireador	RO Curățirea/Înlocuirea aeratorului
FI Poresuuttimen puhdistaminen/vaihtaminen	RU Очистка и замена аэратора
FR Nettoyage/Changement de l'aérateur	SE Rengöring/Byte av strålsamlare
IT Pulizia/Sostituzione dell'aeratore	SK Čistenie/Výměna perlátora
LT Aeratoriaus valymas ir pakeitimas	UA Чищення та заміна аератора



Spare parts

CZ Náhradní díly

FI Varaosat

NL Reserve-onderdelen

RU Запасные части

DE Ersatzteile

FR Pièces détachées

NO Reservedeler

SE Reservdelar

DK Reservedele

IT Pezzi di ricambio

PL Części zamienne

SK Náhradné diely

EE Varuosad

LT Atsarginės dalys

RO Piese de schimb

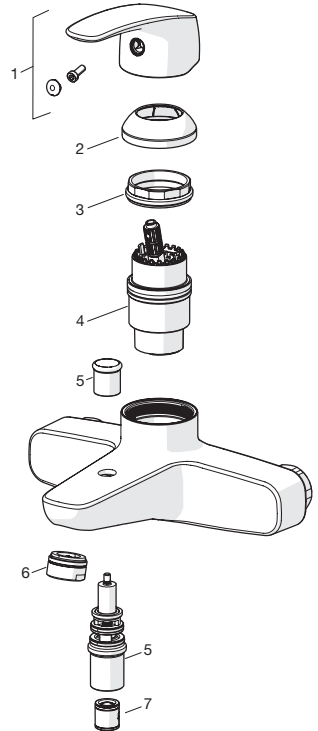
UA Запасні частини

ES Piezas de recambio

LV Rezerves daļas

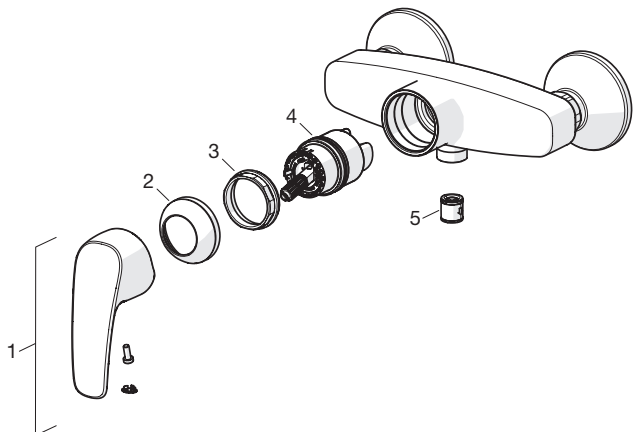
1040, 1040U, 1041U,

- 1 602502V
- 2 602503V
- 3 158726
- 4 158890
- 5 602103V
- 6 601987V
- 7 601989V



1063U

- 1 602502V
- 2 602503V
- 3 158726
- 4 158890
- 5 601989V

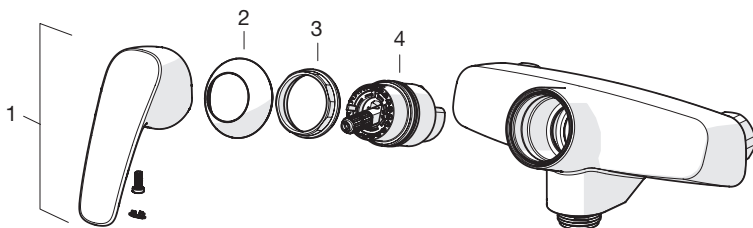


Spare parts

CZ Náhradní díly	FI Varaosat	NL Reserve-onderdelen	RU Запасные части
DE Ersatzteile	FR Pièces détachées	NO Reservedeler	SE Reservdelar
DK Reservedele	IT Pezzi di ricambio	PL Części zamienne	SK Náhradné diely
EE Varuosad	LT Atsarginės dalys	RO Piese de schimb	UA Запасні частини
ES Piezas de recambio	LV Rezerves daļas		

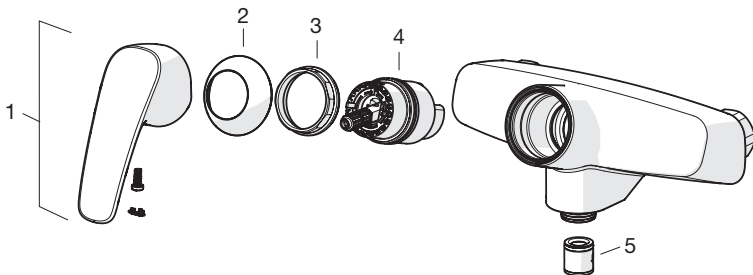
**1016, 1036, 1054, 1055, 1056, 1070, 1073,
1073X, 1074, 1074X, 1077, 1077X, 1085**

- 1 602502V
- 2 1000785V
- 3 158726
- 4 158890



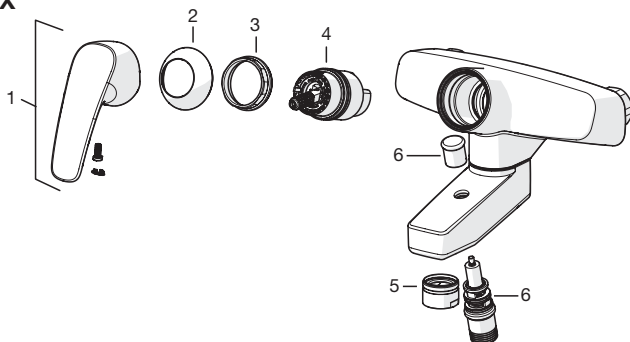
1075, 1075X

- 1 602502V
- 2 1000785V
- 3 158726
- 4 158890
- 5 601989V



1066, 1067, 1068, 1072, 1072X

- 1 602502V
- 2 1000785V
- 3 158726
- 4 158890
- 5 232213
- 6 601988V

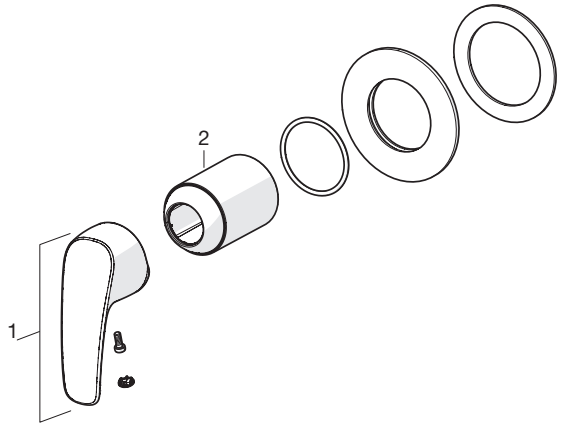


Spare parts

CZ Náhradní díly	FI Varaosat	NL Reserve-onderdelen	RU Запасные части
DE Ersatzteile	FR Pièces détachées	NO Reservedeler	SE Reservdelar
DK Reservedele	IT Pezzi di ricambio	PL Części zamienne	SK Náhradné diely
EE Varuosad	LT Atsarginės dalys	RO Piese de schimb	UA Запасні частини
ES Piezas de recambio	LV Rezerves daļas		

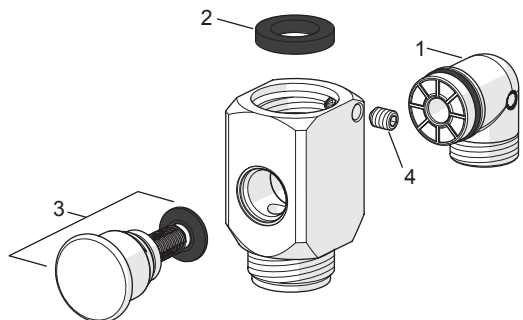
1065C

- 1 602502V
- 2 602637V



200100

- 1 209692
- 2 209675/10
- 3 209695
- 4 229518/10



Oras Group is a powerful European provider of sanitary fittings: the market leader in the Nordics and a leading company in Continental Europe. The company's mission is to make the use of water easy and sustainable and its vision is to become the European leader of advanced sanitary fittings. Oras Group has two strong brands, Oras and Hansa.

The head office of the Group is located in Rauma, Finland, and the Group has four manufacturing sites: Burglengenfeld (Germany), Kralovice (Czech Republic), Olesno (Poland) and Rauma (Finland). Oras Group employs approximately 1400 people in twenty countries. Oras Group is owned by Oras Invest, a family company and an industrial owner.

ORAS GROUP

Isometsäntie 2, P.O. Box 40

FI-26101 Rauma

Tel. +358 2 83 161

Fax +358 2 831 6300

info.finland@oras.com

www.oras.com



Water Is Worth Loving.