



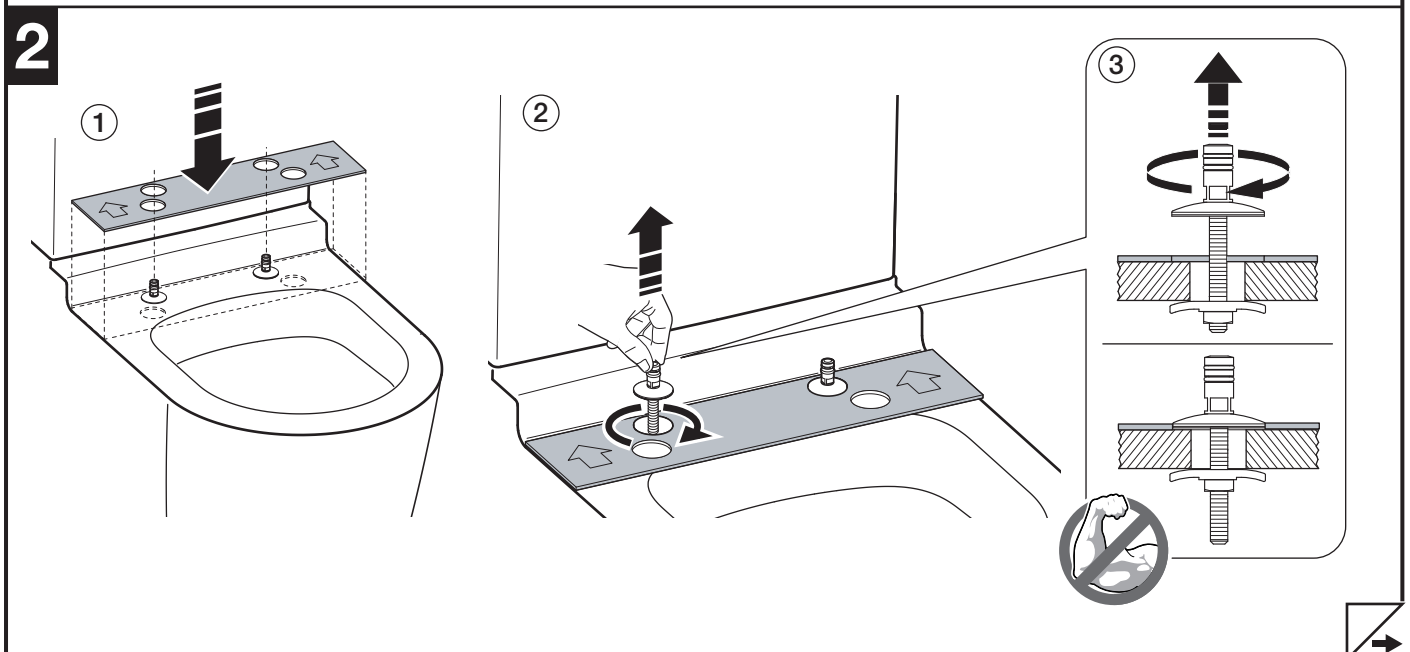
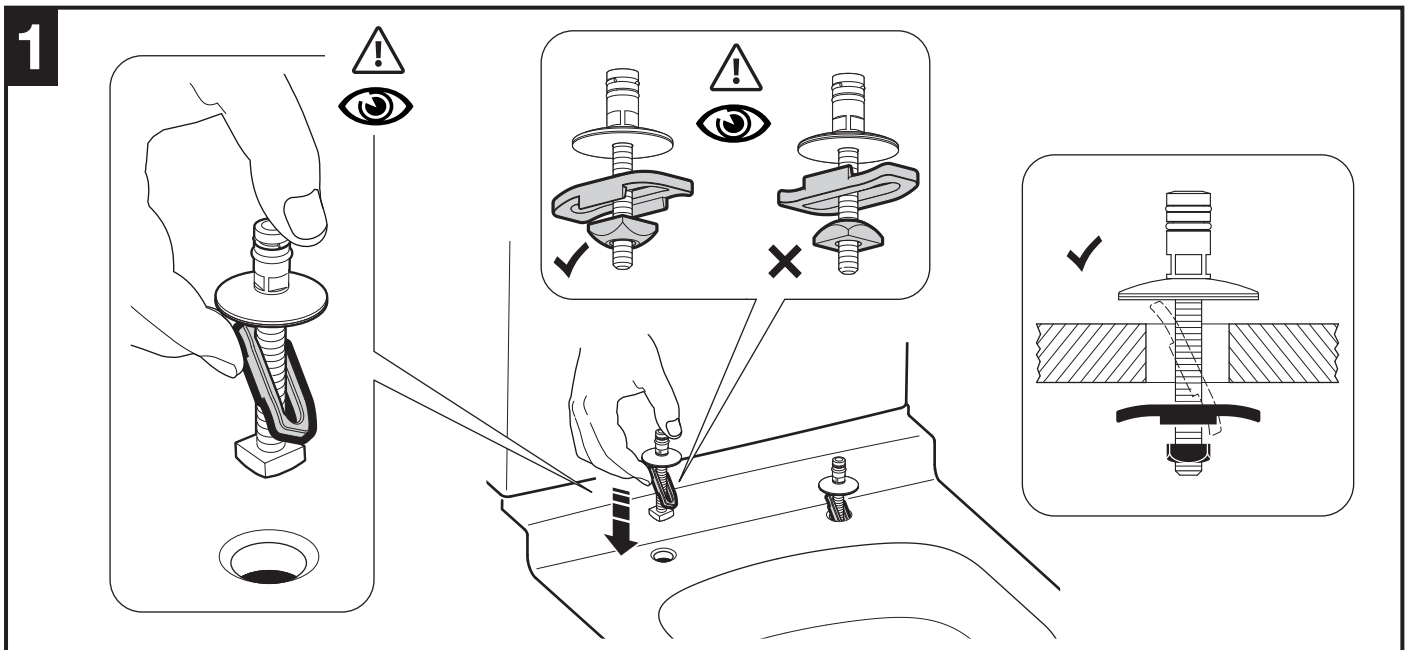
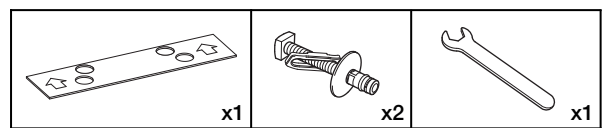
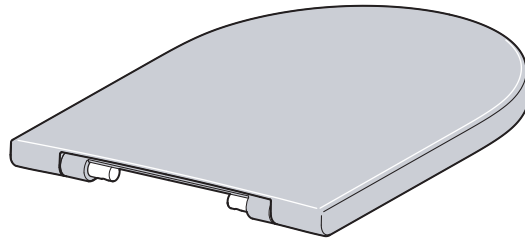
# Roca

## INSPIRA

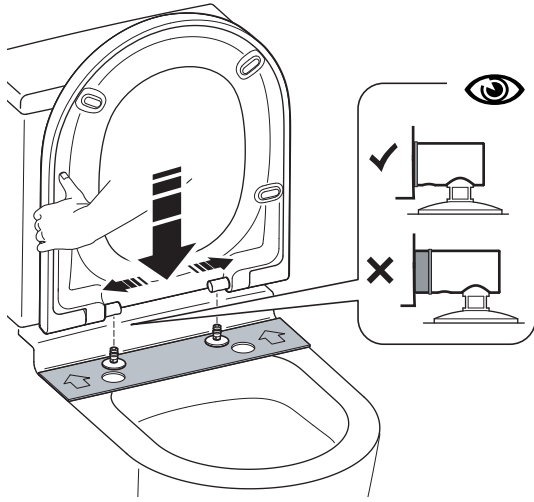
801532 SQUARE STD

801522 ROUND STD

80152C ROUND CPT



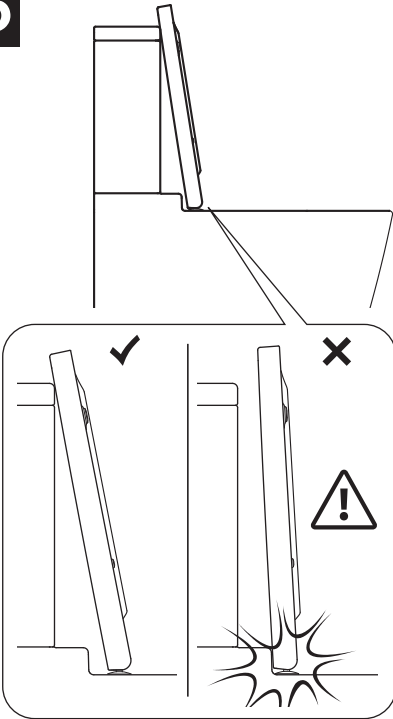
3



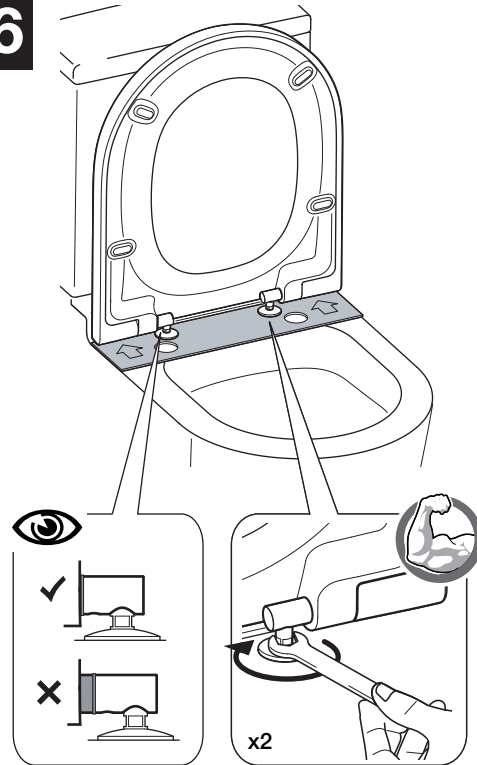
4



5



6



7

