

INSTALLATION INSTRUCTION OF TOILET SEAT

1、 BEFORE INSTALLATION

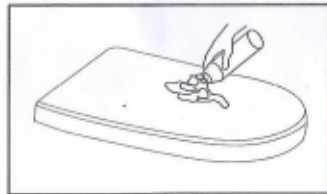
- Please read the instructions carefully, get to know our seats and get prepared with the required tool in advance. Follow the instructions to install the seat correctly. This will help avoiding harming you and your family and your property.
- Please keep the instructions available after reading it carefully.
- Please subject to the real products when the instructions are different from the real products. If there is any new update to products and its accessories, we will give no further notice.

2、 MAINTENANCE



• Regular Maintenance

- Wipe the toilet seat with soft wet cloth.
- Clean the toilet seat with neutral cleanser, and then dry it with clean cloth.



• Eradicator

- Don't clean the toilet seat with lapping powder.
- Keep the toilet seat away from chemicals and cosmetics.

3、 CAUTIONS



Please do not close the seat or cover forcibly to extend the soft-close function lifespan.



Please do not clean the seat or cover with strong chemical cleaners or rigid brushes. (to avoid harming the seat & cover)

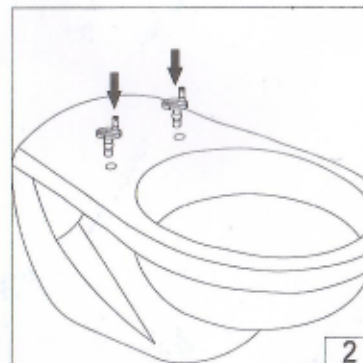
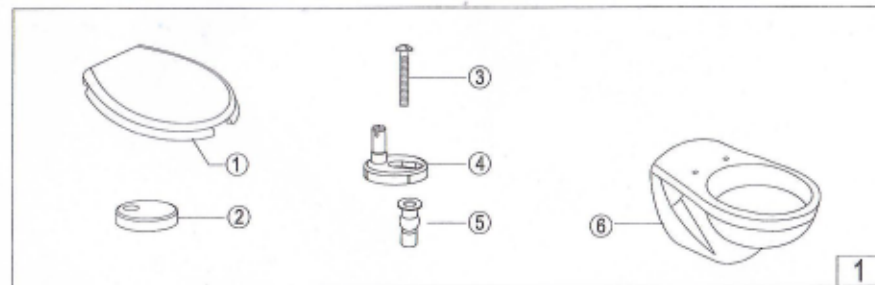


Please do not place heavy objects on the cover. Please avoid sitting forcefully and suddenly on the seat or cover. (to avoid making the seat & cover break)

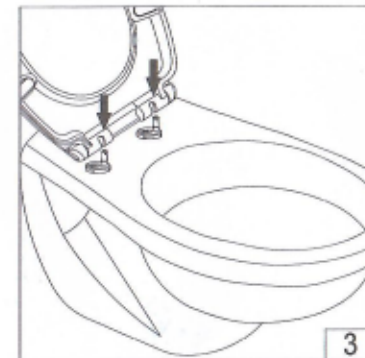


Please do not expose the seat or cover to direct sunlight for too long. Avoid any direct strong light or high temperature. (to avoid making seat & cover fade)

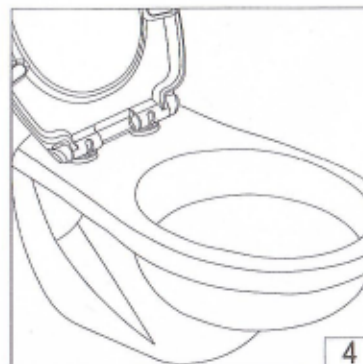
Installation Instruction



Insert the hinge set into the hole.



Keep the toilet seat in vertical, insert the hinge, adjust the seat cover to suit the toilet, make it in suitable position then pull off the seat cover in vertical.



Insert the seat after tight the screw

