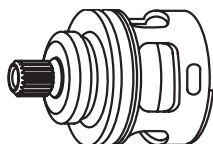




Installation and Maintenance Guide

Spare part
198282V, 601278V

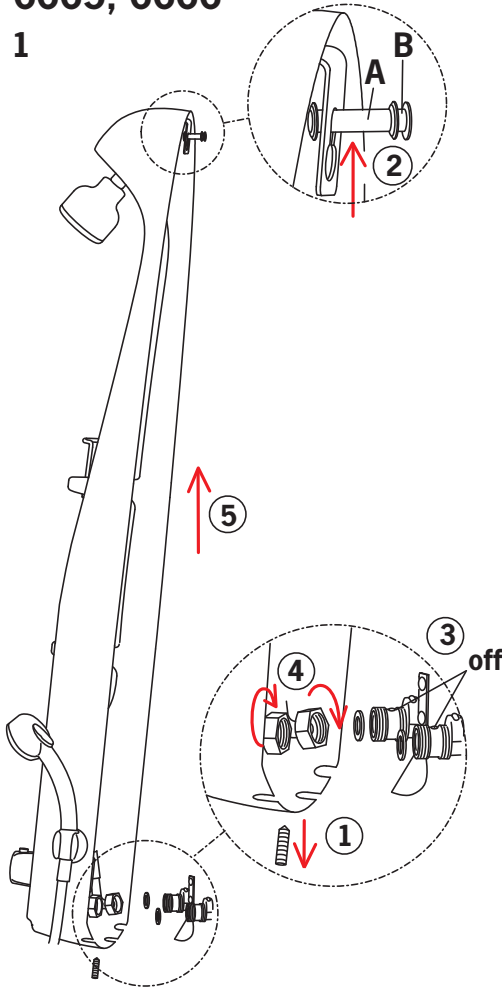
Water Is Worth Loving.



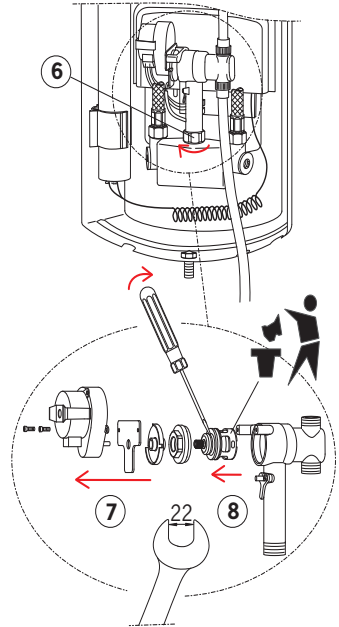
6665, 6666.....	4
8065.....	5
8020/8025	7
6107A.....	9
6109A.....	10
8150.....	11
7118/7128/7138	13
8688.....	14
2888.....	15
7154, 7155, 7156, 7157, 7191, 7192, 7140.....	16

6665, 6666

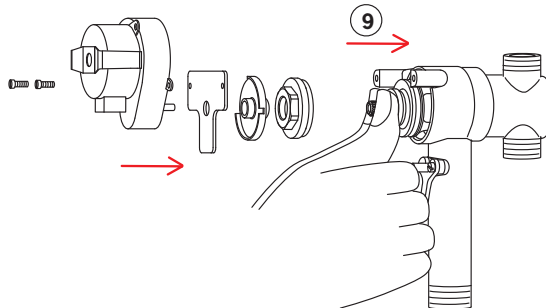
1



2

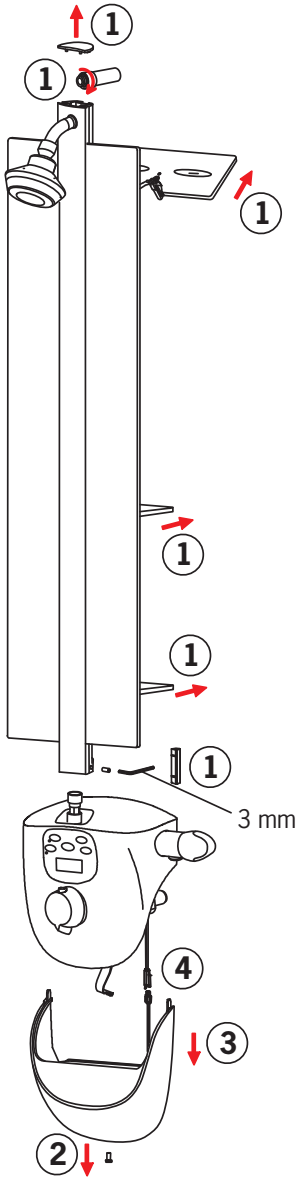


3

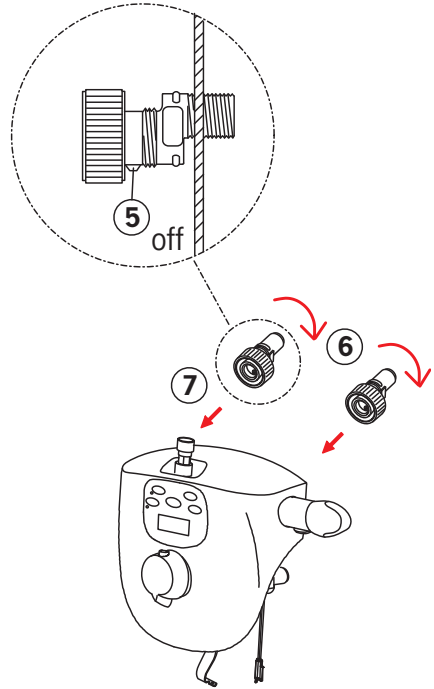


8065

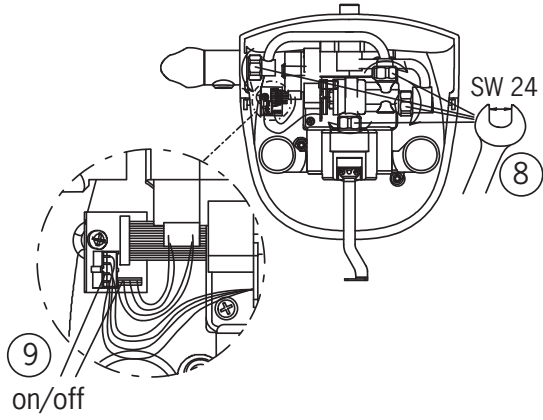
1



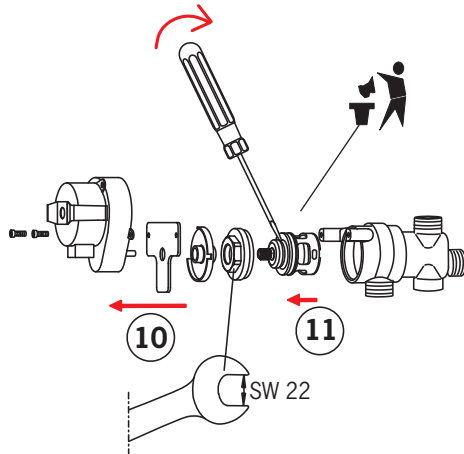
2



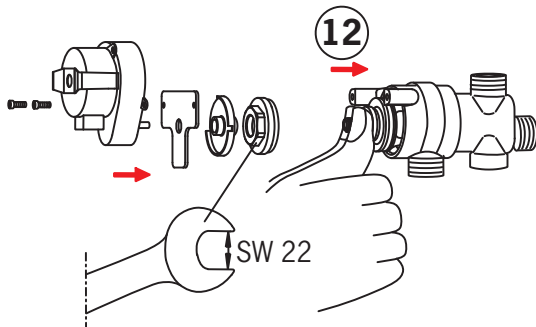
3



4

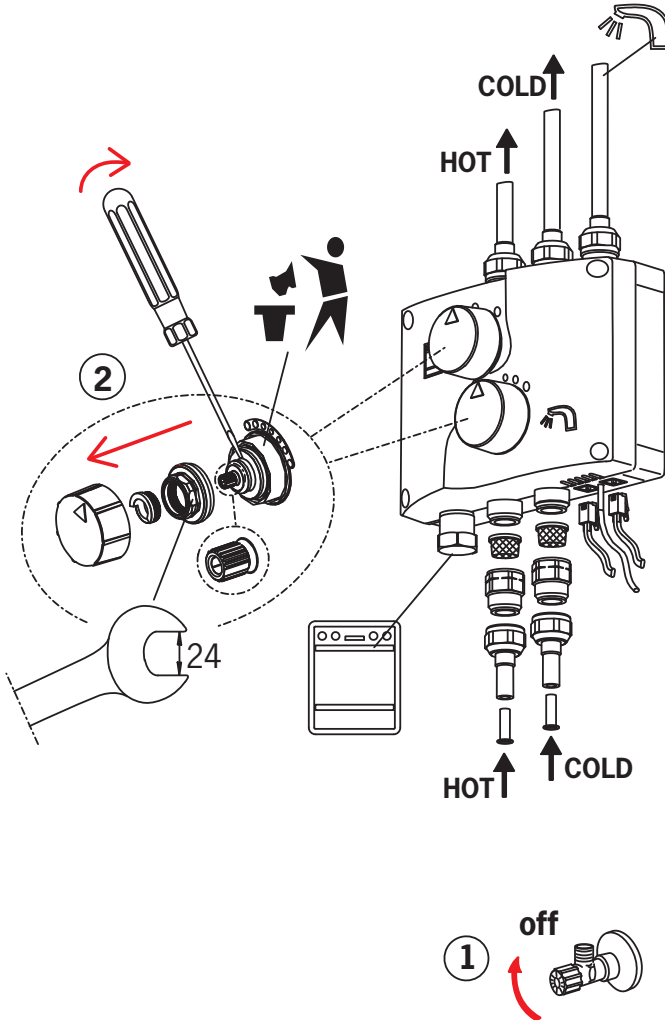


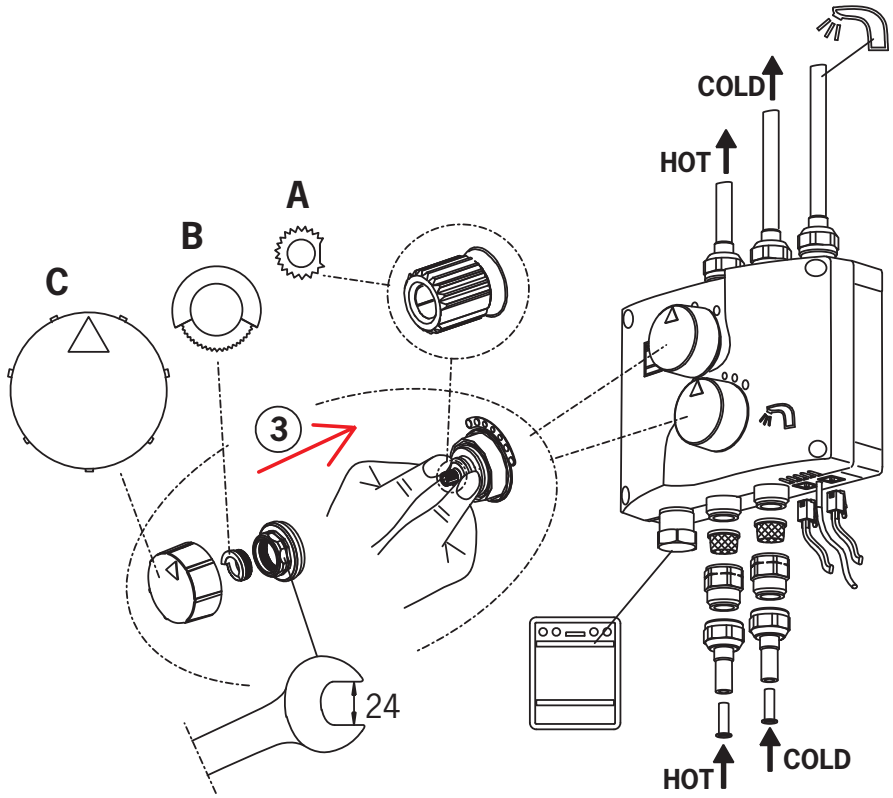
5



8020, 8025

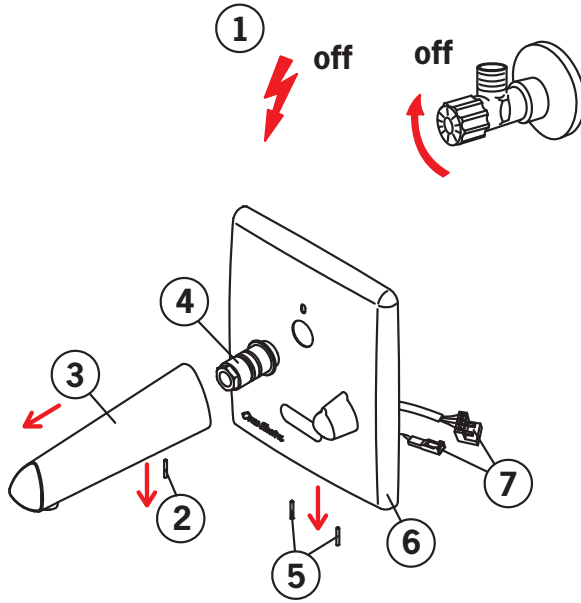
1



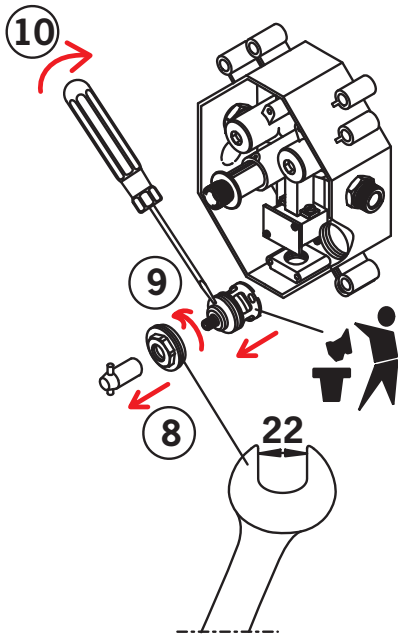


6107A

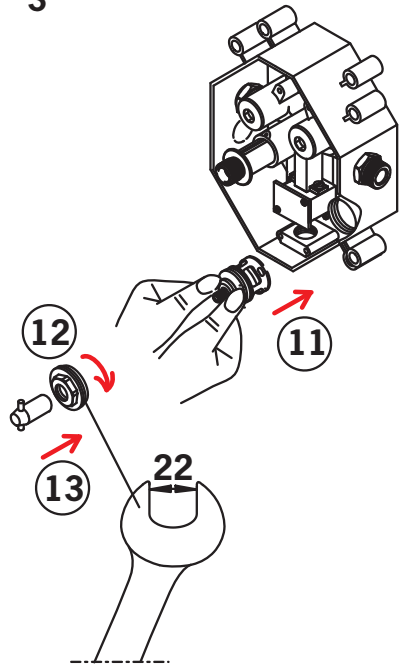
1



2

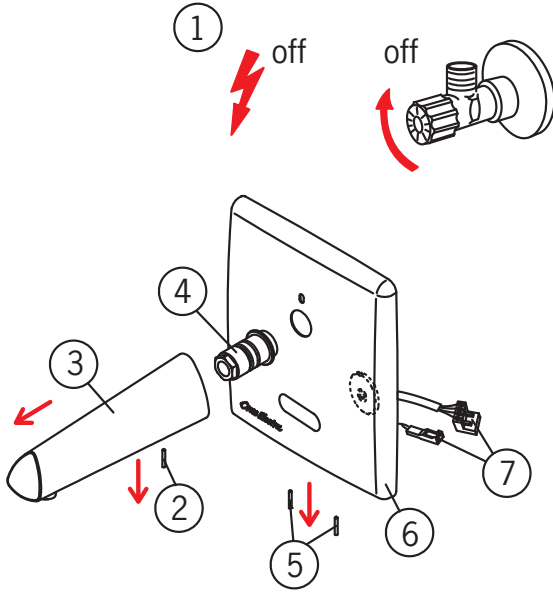


3



6109A

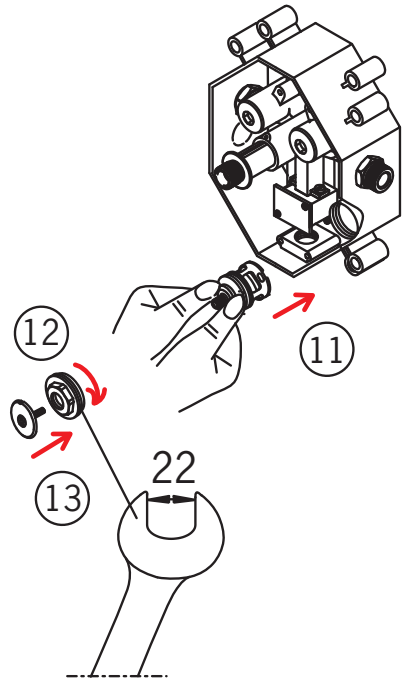
1



2

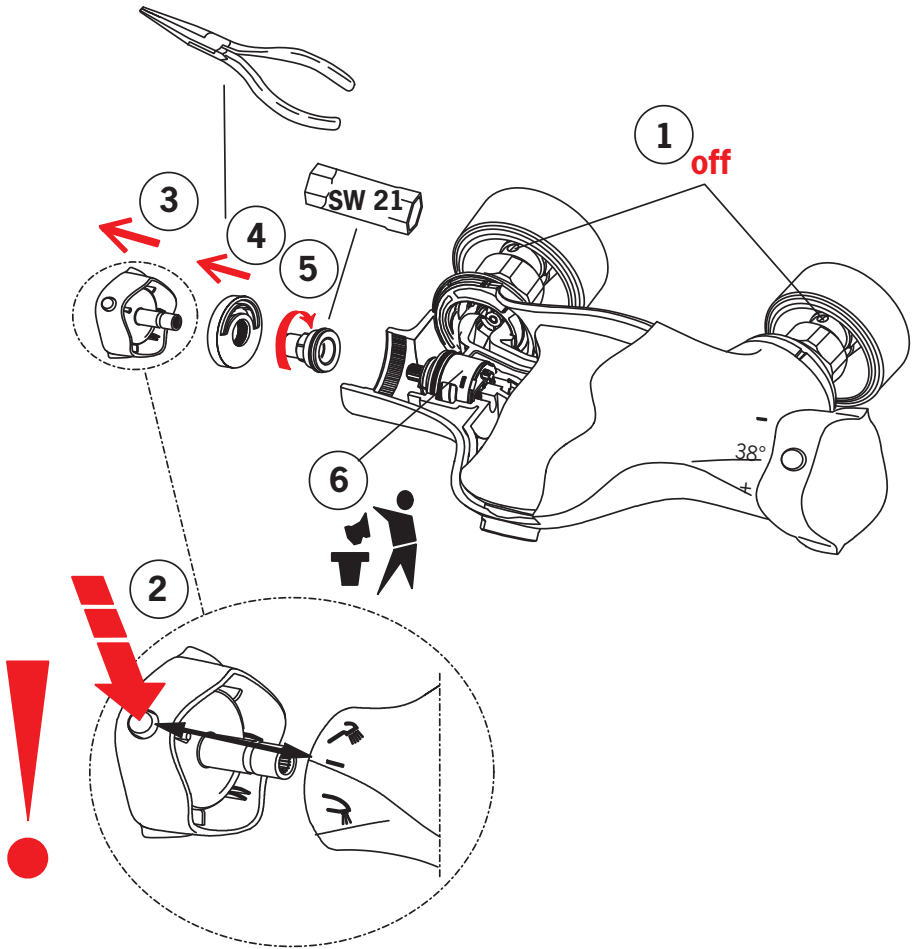


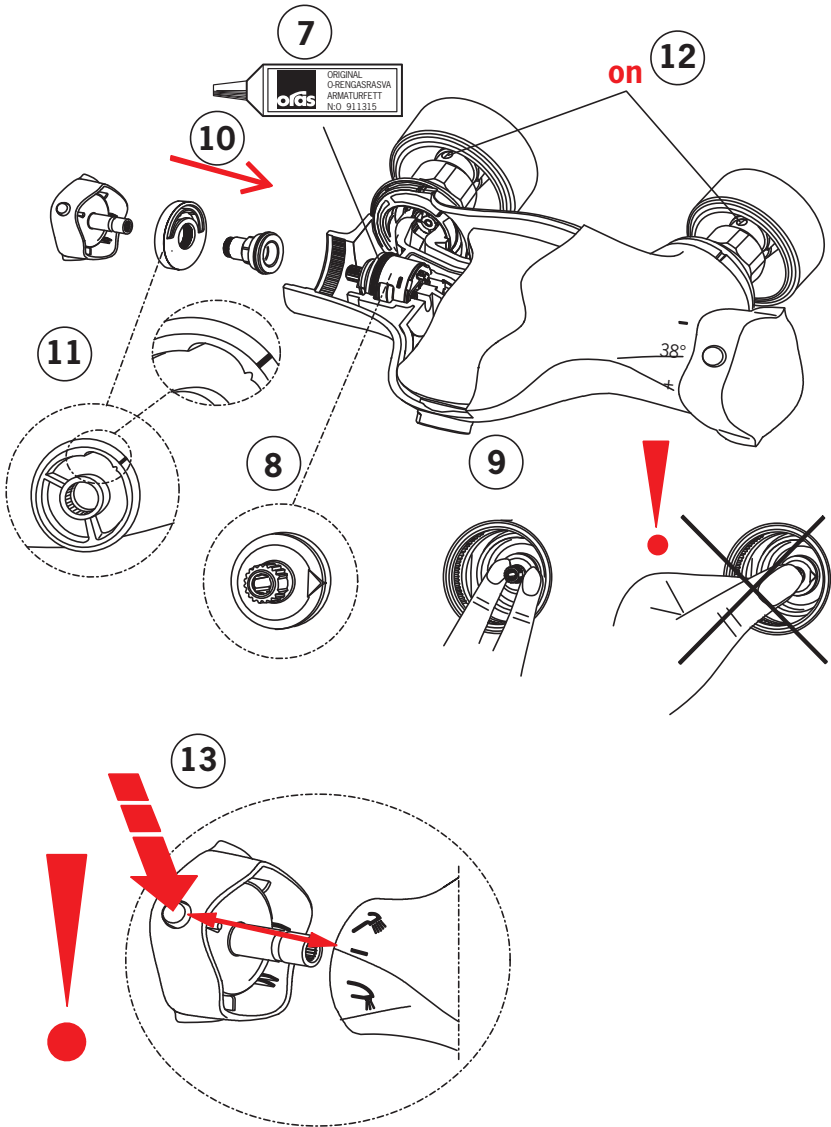
3



8150

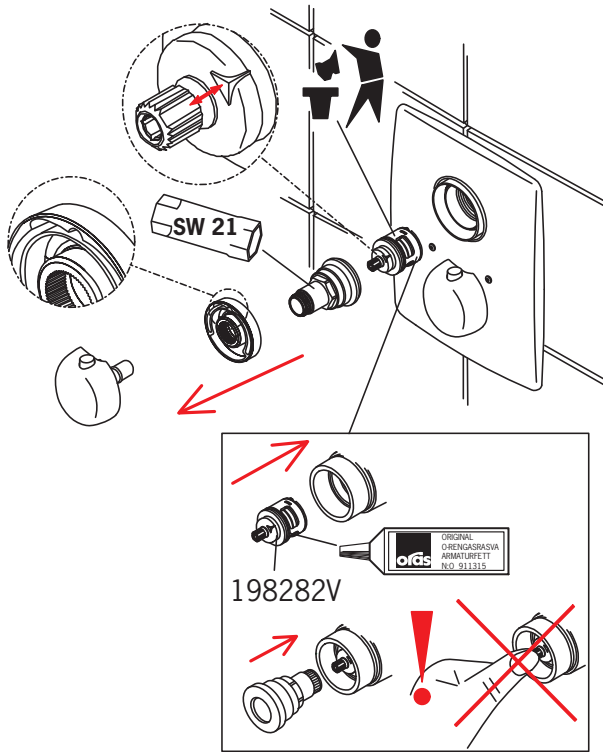
1



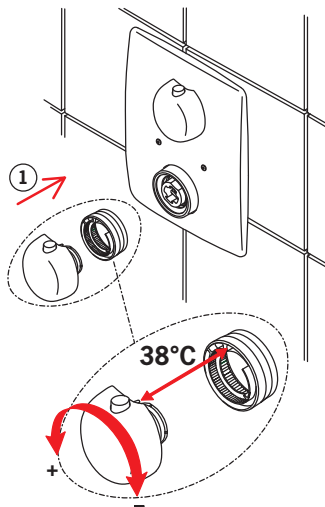


7188

1

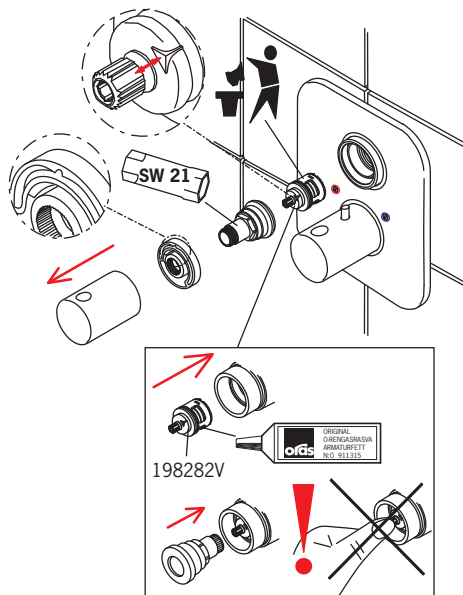


2

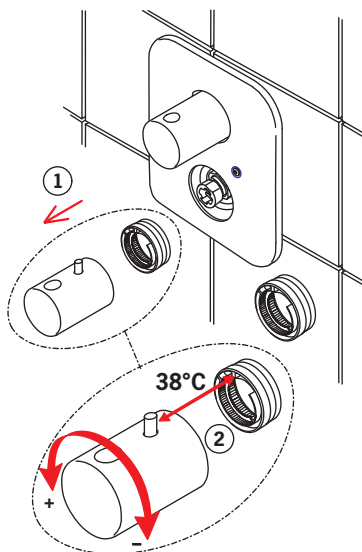


8688

1

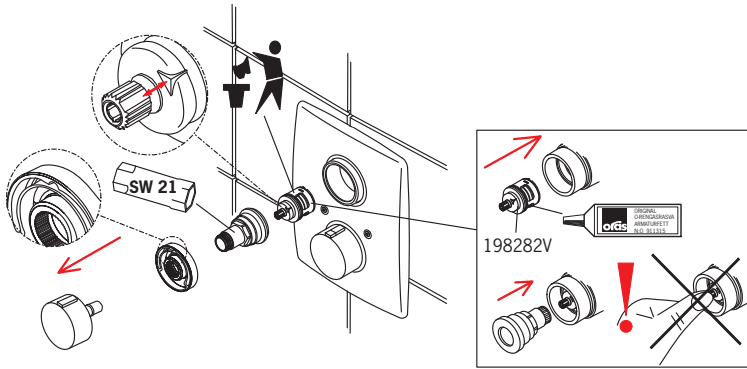


2

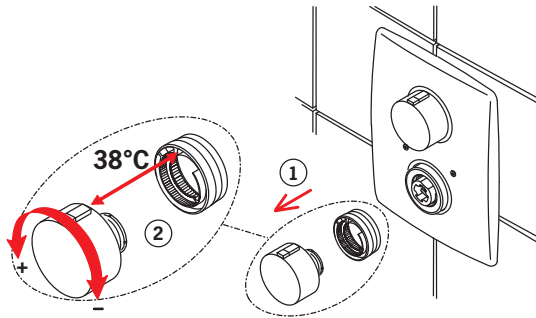


2888

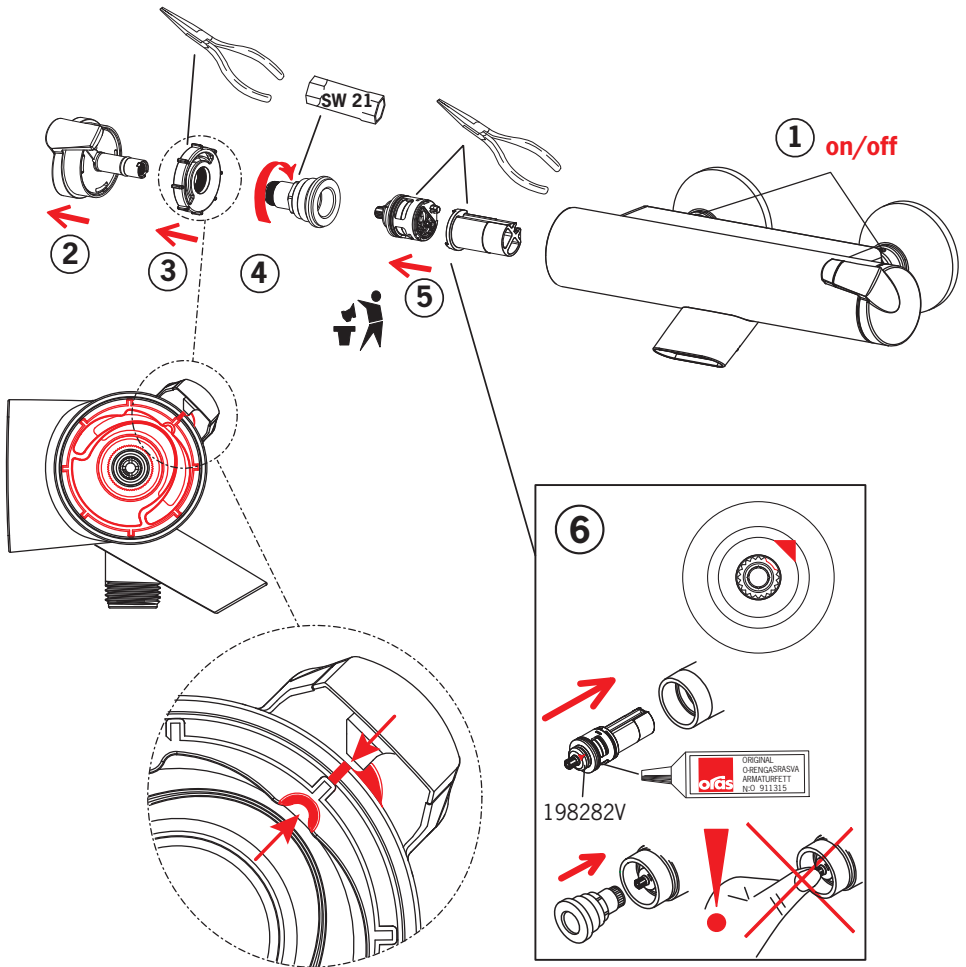
1



2



7154, 7155, 7156, 7157, 7191, 7192, 7140



Oras is a significant developer, manufacturer and marketer of sanitary fittings. Since its founding in 1945 the company has introduced high-quality design products featuring user-friendly technical solutions that contribute to savings of water and energy. As early as in the in the 1990s, Oras introduced the first touchless electronic faucets in the market.

Oras is owned by Oras Invest, a family company. In September 2013 Oras acquired Hansa Metallwerke AG, a German faucet manufacturer, with its subsidiaries, and together the companies form the new Oras Group. The head office of the Group is located in Rauma, Finland, and the company's factories are located in Rauma, Burglengenfeld (Germany), Kralovice (Czech Republic) and Olesno (Poland). The Group employs about 1 400 people.

Det Norske Veritas Certification OY/AB certifies that the Quality Management System of Oras Oy in Rauma Finland, conforms to the ISO 9001, the Environmental Management System to the ISO 14001 standard and the Occupational Health and Safety System to the OHSAS 18001 standard. The certificates are valid for development, manufacture, marketing, sales and after sales services of faucets, accessories and valves.



The TÜV CERT Certification Body of TÜV NORD Zertifizierungs- und Umweltgutachter Gesellschaft mbH certifies that the Quality Management System of Oras Olesno Sp. z o.o. in Olesno Poland, conforms to the ISO 9001, the Environmental Management System to the ISO 14001 standard and the Occupational Health and Safety System to the OHSAS 18001 standard. The certificates are valid for manufacture, storage, marketing, sales and after sales services of faucets, valves and accessories.



ORAS GROUP
Isometsäntie 2, P.O. Box 40
FI-26101 Rauma
Tel. +358 2 83 161
Fax +358 2 831 6300
Info.Finland@oras.com
www.oras.com



www.oras.com

945461/03/15